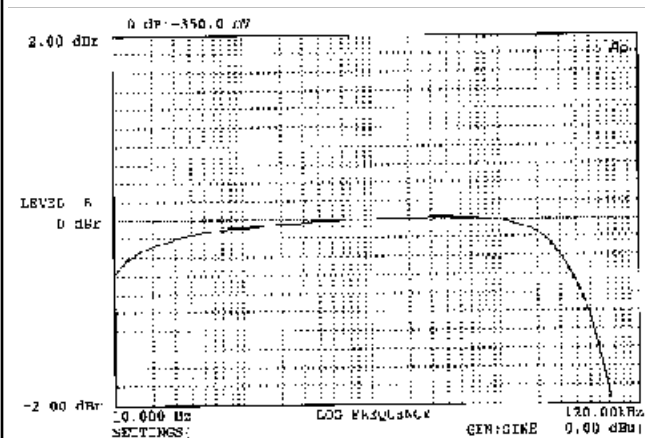


<h1>Sowter Type 3292</h1> <p>600 / 600 ohms General Purpose Isolating Transformer</p>	PACKAGE OPTIONS	Part Number	Canford Product Code
	Coloured Leads	3292-F	23-161
	PCB Mounting	3292-C	23-162



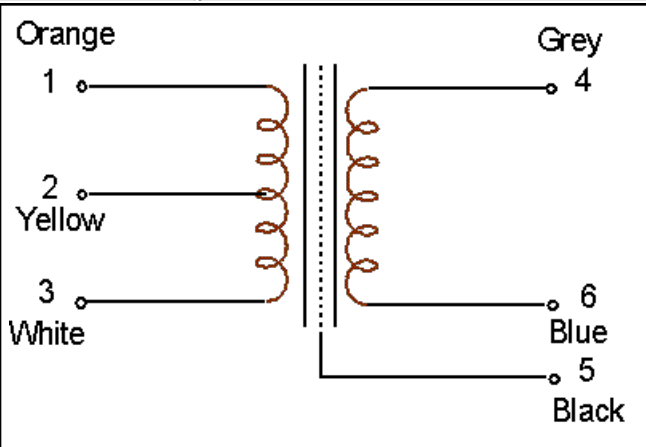
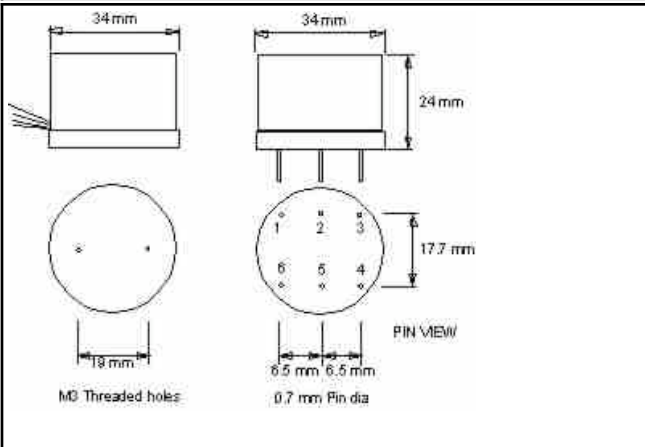
Typical frequency response measured with 600 ohm source and 600 ohm load



APPLICATION Electrical isolation where source or load are low impedance. For reduction of most kinds of noise caused when equipments are connected. For helping to ensure Electromagnetic Compatibility (EMC) standards compliance. May be used for balanced to unbalanced conversion and vice versa.

FEATURES Mumetal core for minimal harmonic distortion. Internal electrostatic shield for high common mode noise rejection. Mumetal can for magnetic shielding. Primary centre tapped for phantom powering etc.

RATIO	1ct:1
MAXIMUM LEVEL 0.5 % THD at 50 Hz (40 ohm source)	+10.5 dBu
DISTORTION at 50 Hz (40 ohm source)	0.05% at +5 dBu
INSERTION LOSS 600 ohm source 600 ohm load	1.62 dBu
INPUT/OUTPUT BALANCE	>60 dB
FREQUENCY RESPONSE 600 ohm source 600 ohm load	+/- 0.25 dB 20 Hz to 30 kHz



E A Sowter Ltd PO Box36 IPSWICH IP1 2EL England
--

Tel: +44(0)1473 252794 Fax: +44(0)1473 236188
--