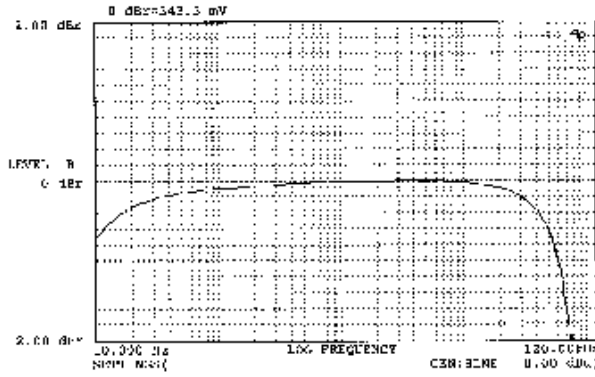


<h1>Sowter Type 3293</h1> <p><b>10k / 10k General Purpose Bridging Transformer</b></p>	PACKAGE OPTIONS	Part Number	Canford Code
	Coloured Leads	3293-F	23-153
	PCB Mounting	3293-C	23-154



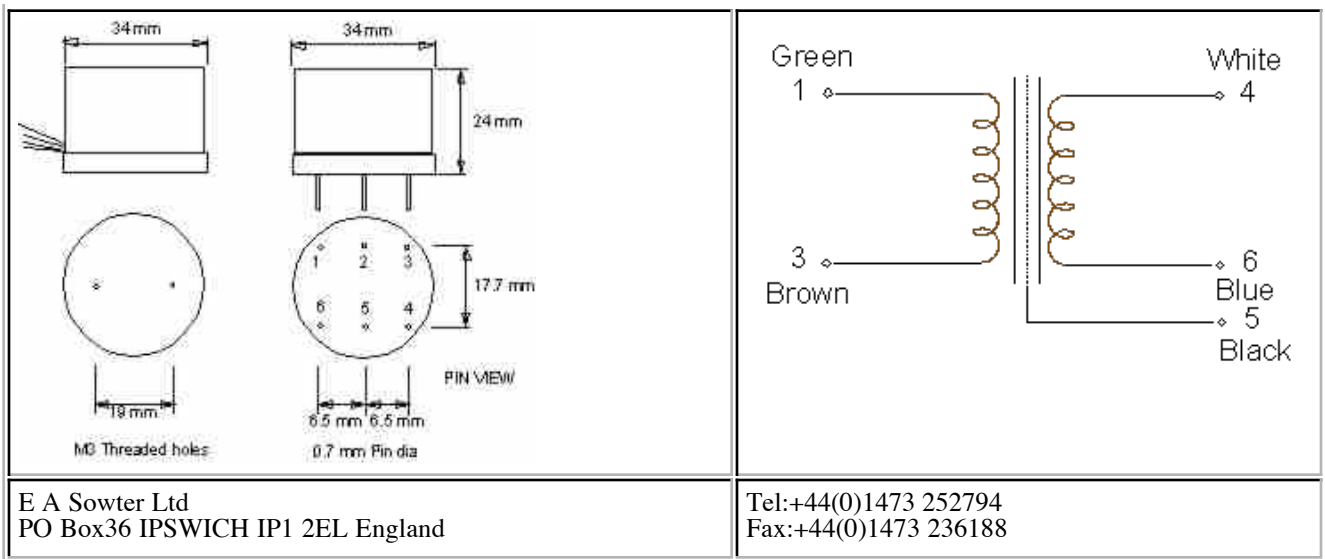
Typical frequency response when used with 8k2 ohm source and 10k ohm load



**APPLICATION** For reduction of most kinds of noise caused when equipments are connected. For use where it is important not to load the driving circuit. Unbalanced to balanced conversion and vice versa. For helping to ensure Electromagnetic Compatibility (EMC) compliance.

**FEATURES** Mumetal core for minimal harmonic distortion. Internal electrostatic shield for high common mode noise rejection. Mumetal can for magnetic shielding.

<b>RATIO</b>	1:1
<b>MAXIMUM LEVEL</b> 0.5 % THD at 50 Hz (40 ohm source)	+22 dBu
<b>DISTORTION</b> at 50 Hz (40 ohm source)	
<b>INSERTION LOSS</b> 8k2 ohm source 10k ohm load	1.25 dBu
<b>FREQUENCY RESPONSE</b> 8.2k ohm source 10K ohm load	+/- 0.25 dB 20 Hz to 40 kHz
<b>INPUT/OUTPUT BALANCE</b>	>60 dB



E A Sowter Ltd  
PO Box36 IPSWICH IP1 2EL England

Tel:+44(0)1473 252794  
Fax:+44(0)1473 236188